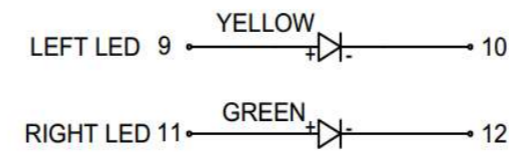
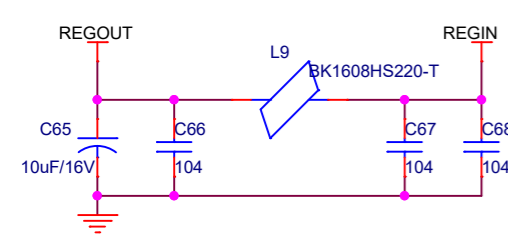
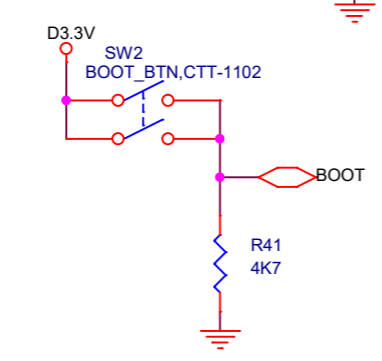
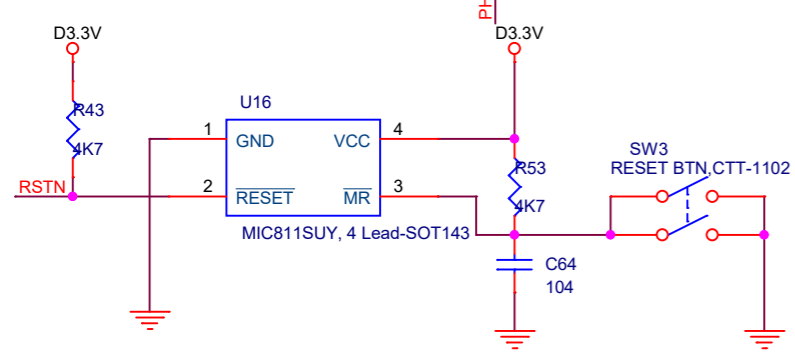
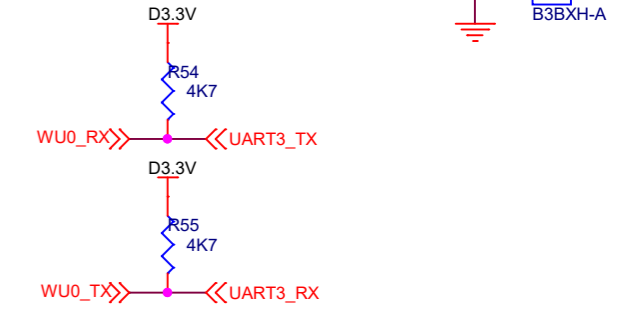
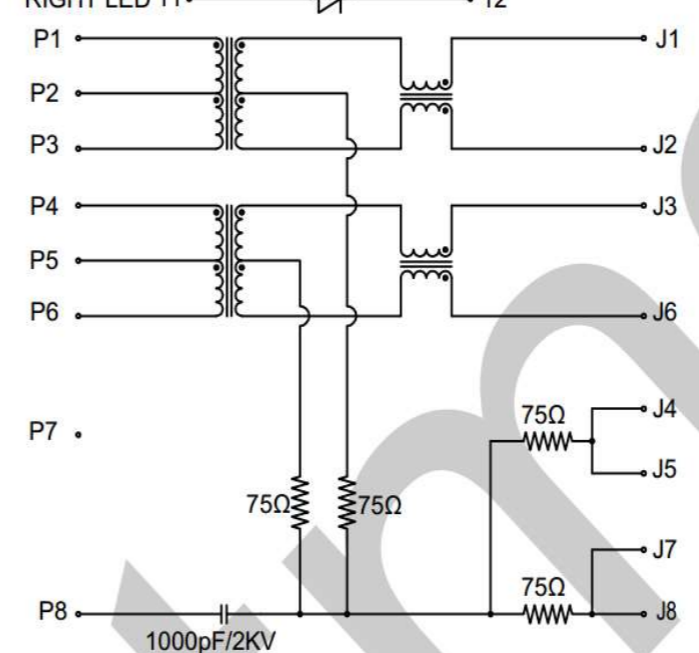


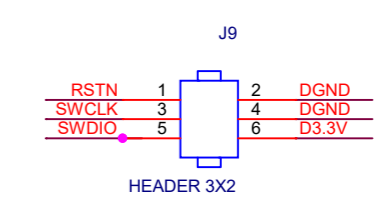
[ Ethernet G/W ]



PCB SIDE TO PHY



CABLE SIDE



Title		
AMC-560E-Ethernet		
Size	Document Number	Rev
A3	ETHERNET PHY	1.0
Date:	Thursday, October 26, 2023	Sheet 4 of 4